

2 Post Open Rack

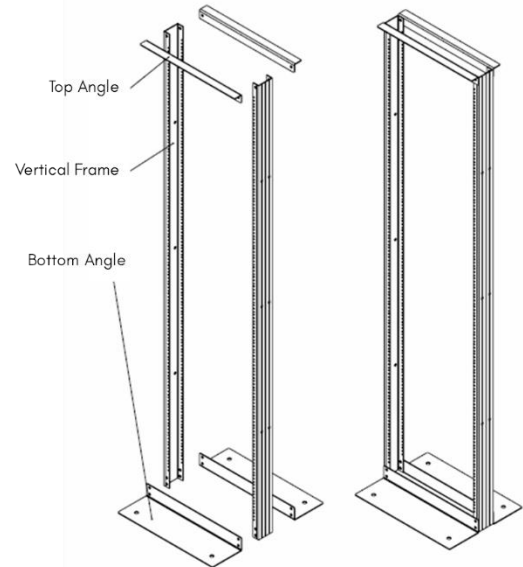
These Racks are very strong and sturdy with 2 Vertical Frames, 2 Top Angles and Two Bottom Angles. Powder coated with highest quality standard under ISO 9001 Manufacturing & Quality management system. Used in Data Centers, Network rooms, Server rooms to install Network, AV & Security, Telecom and Broad cost equipment. Bottom Angle can be grouted to the Floor and Top can be connected to ladder type cable management system for stability and cable management.

Standards

- Compatibility with all equipment conforming to DIN 41494 (General industrial standard for equipment)
- DIN Standard M6 Taped Holes
- Powder coating meeting 7 tank ASTM standard

Construction

Construction	CKD
Mounting profiles	DIN Standard
Material	Aluminum / Steel Sheet
Width	515mm
Height	42RU & 45RU
Depth	82mm
Color	RAL 9005 - Black Powder coated
Equipment Mounting	Two Vertical Frame
Mounting Holes	M6 Taped
Load Capacity	1200Kgs
Standard Mounting	Grouting
Overall Height (mm)	2007 (42U), 2140 (45U)



Accessories (to be ordered separately)

Vertical Cable Managers	100, 150, 200, 250mm
Fixed Shelf	400mm Deep 1RU
Grounding Bar	19" Rack Mount, Horizontal
Power Bar (PDU)	Horizontal

How to Order

Description	Product Code
2 Post Open Rack, Aluminum, Black	300000-XX

Where XX = Rack Unit; 42 = 42U, 45 = 45U